



Accord®

60" x 32" ADA seated bath/shower w/ grab bars
71150125



Features

- 18" apron.
- Pivot snap-together modular design.
- Tile look.
- Corner shelves.
- Stainless steel grab bars.
- Bath seat on left.

Material

- Made from solid Vikrell® material for strength, durability, and lasting beauty.

Installation

- Alcove.
- Right drain.
- Caulk-free installation.

Recommended Products/Accessories

- K-23726 Drain treatment
- K-23723 Faucet cleaner
- K-23733 Vikrell® cleaner

Included Components

- Product consists of:
- 71154123 60" x 32" ADA bath/shower wall set w/ grab bars
 - 71151124 60" x 32" bath w/ seat



ADA

Codes/Standards



- CSA B45.5/IAPMO Z124
- ASTM E162
- ASTM E662
- ADA
- ICC/ANSI A117.1
- HUD, UM Bulletin 73

Warranty – Bathing Fixtures (and Kitchen and Utility Sinks Made of Solid Vikrell® Material) STERLING®
Warranty - Grab Bars STERLING®
Warranty - Bathing & Showering Seats

See website for detailed warranty information.

Available Colors/Finishes

Color tiles intended for reference only.

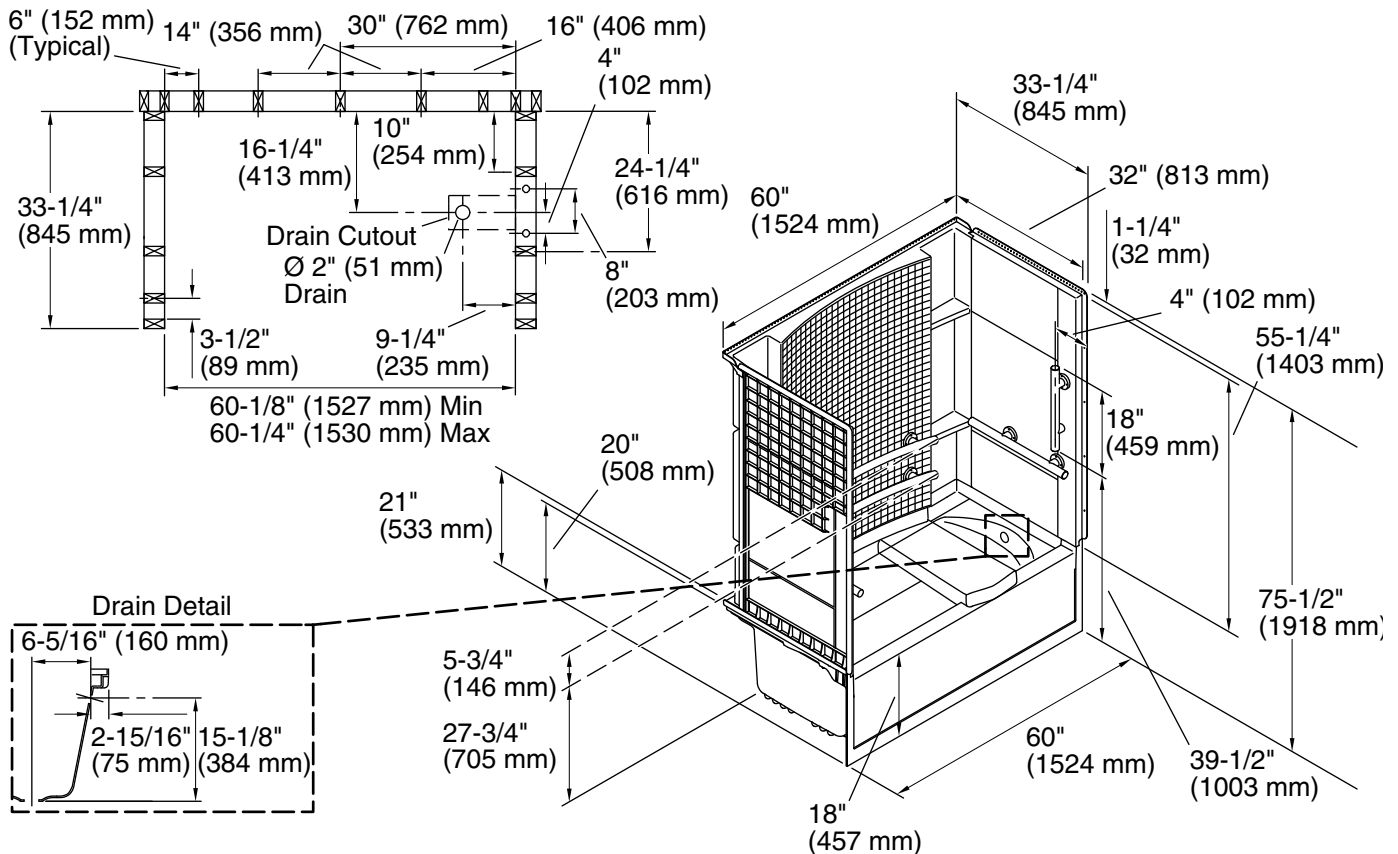
Color	Code	Description
	0	White
	96	KOHLER Biscuit

1-800-STERLING (1-800-783-7546)

Kohler Co. reserves the right to make revisions without notice to product specifications.

For the most current Specification Sheet, go to www.sterlingplumbing.com.

5-29-2021 21:16 - US/CA



Technical Information

All product dimensions are nominal.

- Installation: Three-wall alcove
- Drain location: Right
- Basin area, bottom: 21-1/2" x 46-1/8" (546 mm x 1172 mm)
- Basin area, top: 23" x 51" (584 mm x 1295 mm)
- Water depth: 13-1/8" (333 mm)
- Water capacity: 56 gal (212 L)
- Maximum door height: 55-7/8" (1419 mm)
- Maximum door width: 56-3/4" (1441 mm)

Notes

- Install this product according to the installation instructions.
- Studs should be positioned roughly as shown. Double studding is recommended for pivot shower door installations.
- ADA compliant when installed to the specific requirements of these regulations.